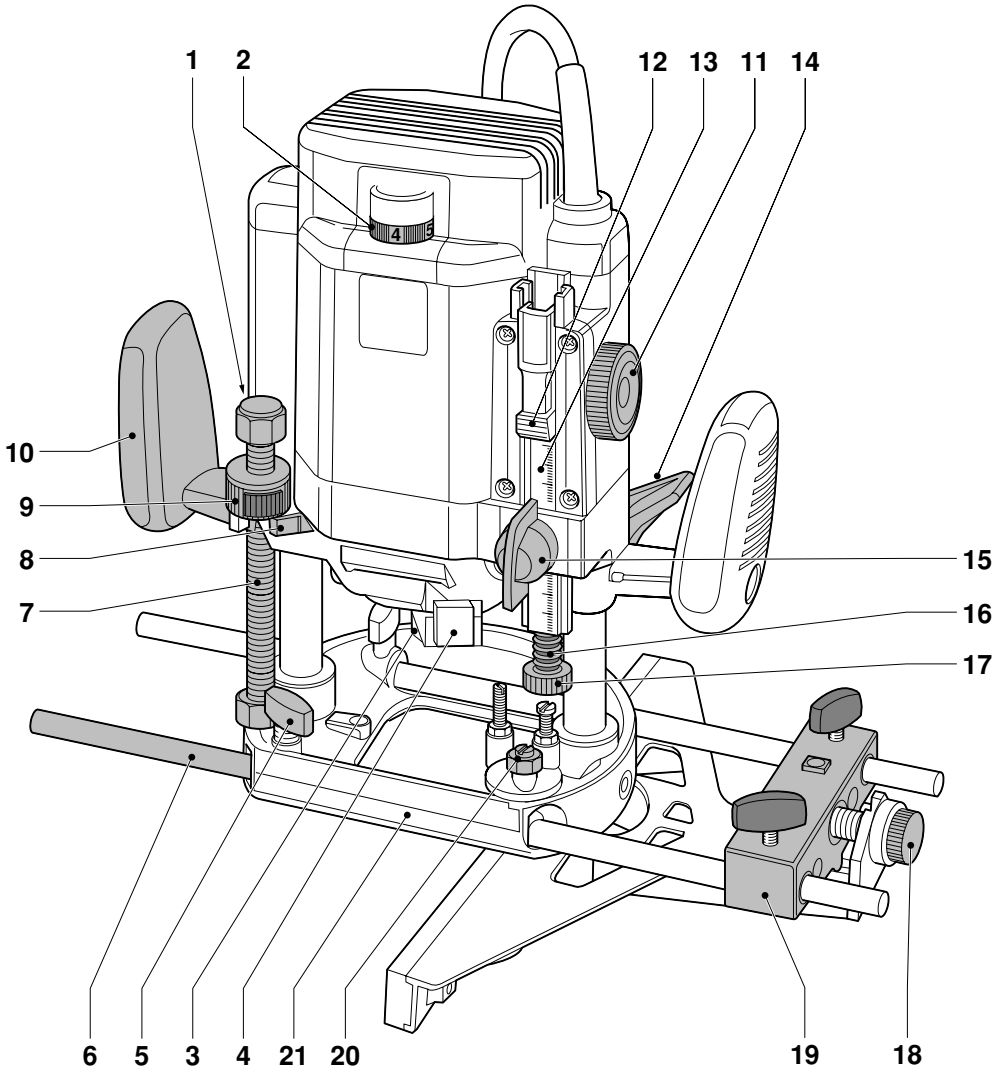
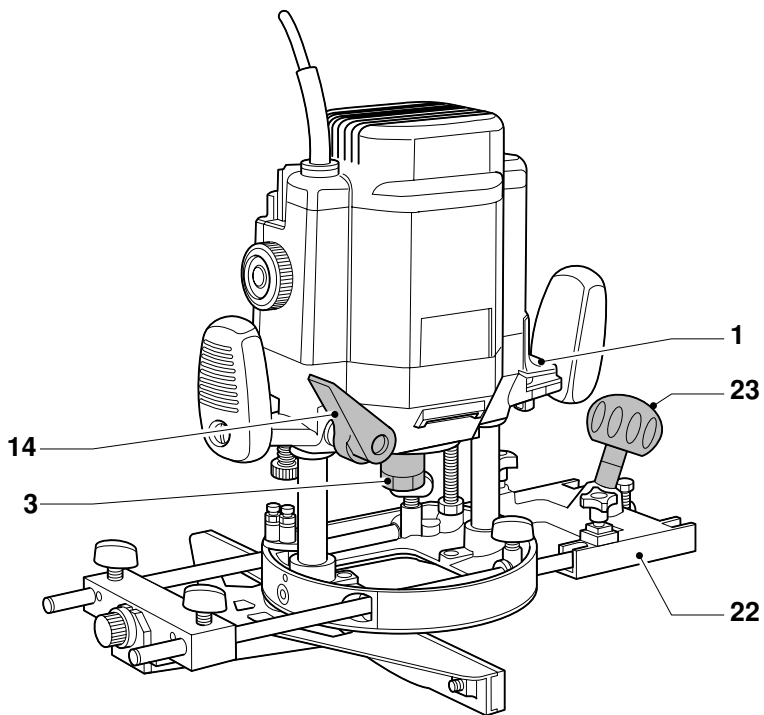


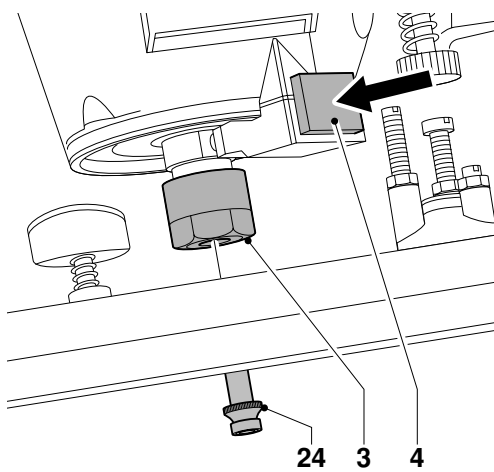
DEWALT®

DW625E

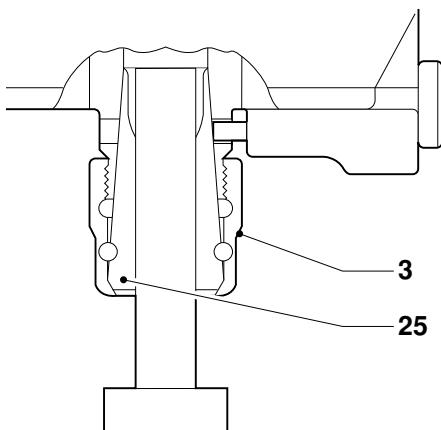




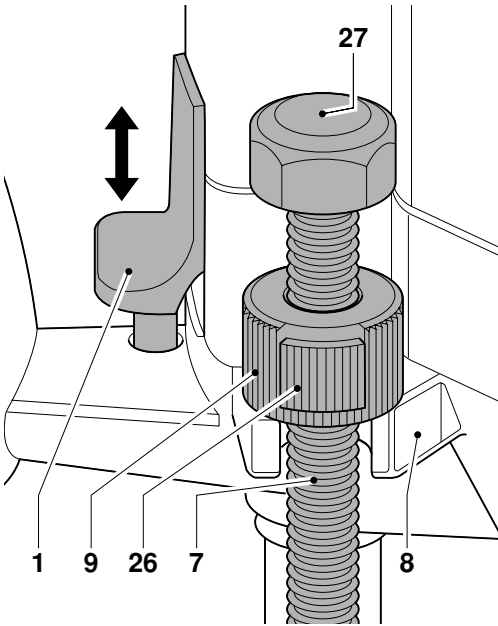
A2



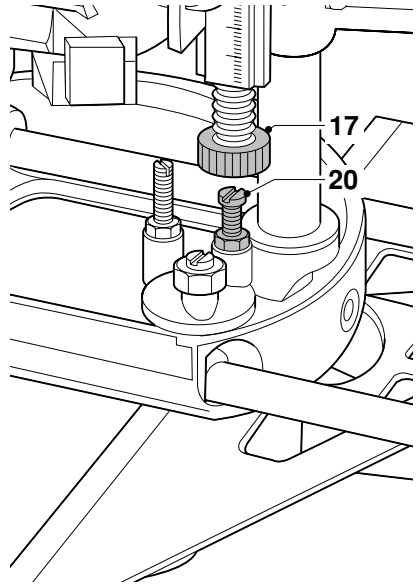
B



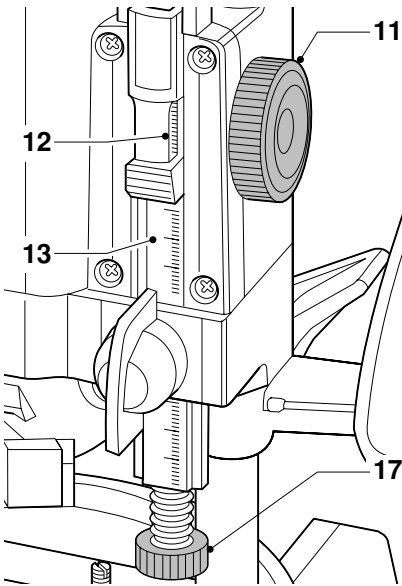
C



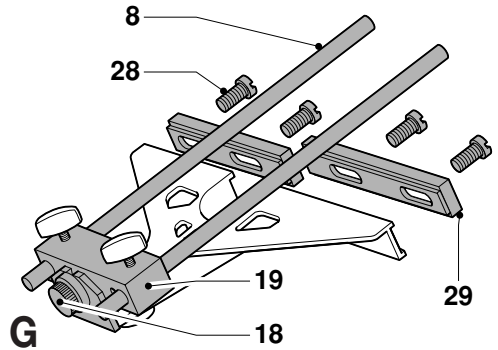
D



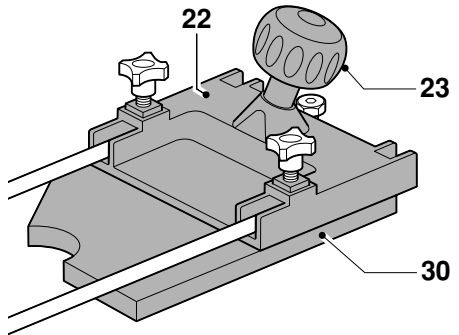
E



F



G



H

ROUTER DW625E

Congratulations!

You have chosen a DeWALT Power Tool. Years of experience, thorough product development and innovation make DeWALT one of the most reliable partners for professional Power Tool users.

Table of contents

Technical data	en - 1
EC-Declaration of conformity	en - 1
Safety instructions	en - 2
Package contents	en - 3
Description	en - 3
Electrical safety	en - 3
Mains plug replacement (U.K. & Ireland only)	en - 3
Using an extension cable	en - 4
Assembly and adjustment	en - 4
Instructions for use	en - 6
Maintenance	en - 6
Guarantee	en - 7

Technical data

DW625E		
Voltage	V	230
(U.K. & Ireland only)	V	230/115
Power input	W	1,850
Power output	W	1,100
No load speed	min ⁻¹	8,000 - 20,000, infinitely variable
Router carriage		2 columns
Router carriage stroke	mm	62
Revolver depth stop		3-step, with graduation and fine adjustment
Collet size	inch	1/2
Cutters diameter, max.	mm	50
Weight	kg	5.2

Fuses:

Europe	230 V tools	10 Amperes, mains
U.K. & Ireland	230 V tools	13 Amperes, in plugs

The following symbols are used throughout this manual:



Denotes risk of personal injury, loss of life or damage to the tool in case of non-observance of the instructions in this manual.



Denotes risk of electric shock.

EC-Declaration of conformity



DW625E

DeWALT declares that these Power Tools have been designed in compliance with: 89/392/EEC, 89/336/EEC, 73/23/EEC, EN 50144, EN 55104, EN 55014, EN 61000-3-2 & EN 61000-3-3.

For more information, please contact DeWALT at the address below, or refer to the back of the manual.

Level of sound pressure according to 86/188/EEC & 89/392/EEC, measured according to EN 50144:

		DW625E
L _{pA}	(sound pressure) dB(A)*	93
L _{WA}	(acoustic power) dB(A)	102

* at the operator's ear



Take appropriate measures for the protection of hearing if the sound pressure of 85 dB(A) is exceeded.

Weighted root mean square acceleration value according to EN 50144:

DW625E	
< 2.5 m/s ²	

Director Engineering and Product Development
Horst Großmann

DeWALT, Richard-Klinger-Straße 40,
D-65510, Idstein, Germany

Safety instructions

When using Power Tools, always observe the safety regulations applicable in your country to reduce the risk of fire, electric shock and personal injury. Read the following safety instructions before attempting to operate this product. Keep these instructions in a safe place!

General

1 Keep work area clean

Cluttered areas and benches can cause accidents.

2 Consider work area environment

Do not expose Power Tools to humidity. Keep work area well lit. Do not use Power Tools in the presence of inflammable liquids or gases.

3 Guard against electric shock

Prevent body contact with earthed surfaces (e.g. pipes, radiators, cookers and refrigerators). For use under extreme conditions (e.g. high humidity, when metal swarf is being produced, etc.) electric safety can be improved by inserting an isolating transformer or a (FI) earth-leakage circuit-breaker.

4 Keep children away

Do not let children come into contact with the tool or extension cord. Supervision is required for those under 16 years of age.

5 Extension cords for outdoor use

When the tool is used outdoors, always use extension cords intended for outdoor use and marked accordingly.

6 Store idle tools

When not in use, Power Tools must be stored in a dry place and locked up securely, out of reach of children.

7 Dress properly

Do not wear loose clothing or jewellery. They can be caught in moving parts. Preferably wear rubber gloves and non-slip footwear when working outdoors. Wear protective hair covering to keep long hair out of the way.

8 Wear safety goggles

Also use a face or dust mask in case the operations produce dust or flying particles.

9 Beware of maximum sound pressure

Take appropriate measures for the protection of hearing if the sound pressure of 85 dB(A) is exceeded.

10 Secure workpiece

Use clamps or a vice to hold the workpiece. It is safer and it frees both hands to operate the tool.

11 Do not overreach

Keep proper footing and balance at all times.

12 Avoid unintentional starting

Do not carry the plugged-in tool with a finger on the switch. Be sure that the switch is released when plugging in.

13 Stay alert

Watch what you are doing. Use common sense. Do not operate the tool when you are tired.

14 Disconnect tool

Shut off power and wait for the tool to come to a complete standstill before leaving it unattended. Unplug the tool when not in use, before servicing or changing accessories.

15 Remove adjusting keys and wrenches

Always check that adjusting keys and wrenches are removed from the tool before operating the tool.

16 Use appropriate tool

The intended use is laid down in this instruction manual. Do not force small tools or attachments to do the job of a heavy-duty tool. The tool will do the job better and safer at the rate for which it was intended.

Warning! The use of any accessory or attachment or performance of any operation with this tool, other than those recommended in this instruction manual may present a risk of personal injury.

17 Do not abuse cord

Never carry the tool by its cord or pull it to disconnect from the socket. Keep the cord away from heat, oil and sharp edges.

18 Maintain tools with care

Keep the tools in good condition and clean for better and safer performance. Follow the instructions for maintenance and changing accessories. Inspect the tool cords at regular intervals and, if damaged, have them repaired by an authorized DeWALT repair agent. Inspect the extension cords periodically and replace them if damaged. Keep all controls dry, clean and free from oil and grease.

19 Check for damaged parts

Before using the tool, carefully check it for damage to ensure that it will operate properly and perform its intended function.

Check for misalignment and seizure of moving parts, breakage of parts and any other conditions that may affect its operation. Have damaged guards or other defective parts repaired or replaced as instructed. Do not use the tool if the switch is defective. Have the switch replaced by an authorized DeWALT repair agent.

20 Have your tool repaired by an authorized DeWALT repair agent

This Power Tool is in accordance with the relevant safety regulations. To avoid danger, electric appliances must only be repaired by qualified technicians.

Additional safety rules for cutters

- Always use cutters with a shank diameter corresponding to the size of the collet installed in your tool.
- Always use cutters suitable for a speed of 30.000 min⁻¹ and marked accordingly.
- Never use cutters with a diameter exceeding the maximum diameter indicated in the technical data.

Package contents

The package contains:

- 1 Router
 - 1 Parallel fence with fine adjustment and guide rods
 - 1 Spanner # 22
 - 1 Dust extraction adapter
 - 1 Guide bush
 - 1 Instruction manual
 - 1 Exploded drawing
- Check for damage to the tool, parts or accessories which may have occurred during transport.
 - Take the time to thoroughly read and understand this manual prior to operation.

Description (fig. A)

Your DeWALT high performance Router has been designed for professional heavy duty routing of wood, wood products and plastics.

- 1 Lock-on button
- 2 Speed control dial
- 3 Collet nut
- 4 Spindle lock
- 5 Parallel fence locking bolt
- 6 Guide rods for parallel fence

- 7 Threaded spindle
- 8 Stop
- 9 Knurled nut
- 10 Grip
- 11 Handwheel
- 12 Measuring lens
- 13 Scale
- 14 Plunge lock
- 15 Clamping screw
- 16 Depth stop
- 17 Fine adjuster for depth stop
- 18 Fine adjuster for parallel fence
- 19 Parallel fence
- 20 Revolver depth stop
- 21 Router base
- 22 Baseplate extension
- 23 Guiding knob

Electrical safety

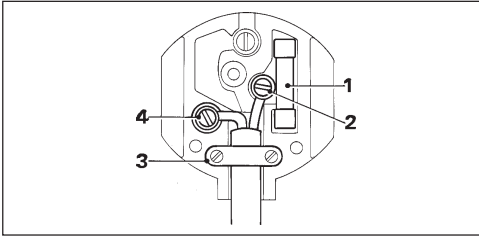
The electric motor has been designed for one voltage only. Always check that the power supply corresponds to the voltage on the rating plate.



Your DeWALT tool is double insulated in accordance with EN 50144; therefore no earth wire is required.

Mains plug replacement (U.K. & Ireland only)

- Should your mains plug need replacing and you are competent to do this, proceed as instructed below. If you are in doubt, contact an authorized DeWALT repair agent or a qualified electrician.
- Disconnect the plug from the supply.
- Cut off the plug and dispose of it safely; a plug with bared copper conductors is dangerous if engaged in a live socket outlet.
- Only fit 13 Amperes BS1363A approved plugs fitted with the correctly rated fuse (1).
- The cable wire colours, or a letter, will be marked at the connection points of most good quality plugs. Attach the wires to their respective points in the plug (see below). Brown is for Live (L) (2) and Blue is for Neutral (N) (4).
- Before replacing the top cover of the mains plug ensure that the cable restraint (3) is holding the outer sheath of the cable firmly and that the two leads are correctly fixed at the terminal screws.



Never use a light socket.
Never connect the live (L) or neutral (N) wires to the earth pin marked E or \perp .

Assembly and adjustment



Prior to assembly and adjustment always unplug the tool.

Inserting and removing a cutter (fig. B)

- Press and hold down the spindle lock (4).
- Using the 22 mm wrench, loosen the collet nut (3) a few turns and insert a cutter (24).
- Tighten the collet nut and release the spindle lock (4).



Never tighten the collet nut without a cutter in the collet.

For 115 V units with a power rating exceeding 1500 W, we recommend to fit a plug to BS4343 standard.

Replacing the collet (fig. C)

Your DeWALT Router is supplied with a 1/2" collet fitted to the tool. Other precision collets are also available to suit the cutter used.

- Separate the collet (25) from the collet nut (3) by pulling it firmly.
- Click the new collet in place.

Using an extension cable

If an extension cable is required, use an approved extension cable suitable for the power input of this tool (see technical data). The minimum conductor size is 1.5 mm². When using a cable reel, always unwind the cable completely. Also refer to the table below.

Conductor size (mm ²)	Cable rating (Amperes)						
	7.5	15	25	30	45	60	
0.75	6						
1.00	10						
1.50	15						
2.50	20						
4.00	25						
Cable length (m)							
Voltage	Amperes	Cable rating (Amperes)					
		7.5	15	25	30	45	60
115	0 - 2.0	6	6	6	6	6	10
	2.1 - 3.4	6	6	6	6	15	15
	3.5 - 5.0	6	6	10	15	20	20
	5.1 - 7.0	10	10	15	20	20	25
	7.1 - 12.0	15	15	20	25	25	-
230	12.1 - 20.0	20	20	25	-	-	-
	0 - 2.0	6	6	6	6	6	6
	2.1 - 3.4	6	6	6	6	6	6
	3.5 - 5.0	6	6	6	6	10	15
	5.1 - 7.0	10	10	10	10	15	15
	7.1 - 12.0	15	15	15	15	20	20
	12.1 - 20.0	20	20	20	20	25	-

Setting the electronic speed control dial (fig. A)

The speed is infinitely variable from 8,000 to 20,000 min⁻¹ using the electronic speed control dial (2) for uniform cutting results in all types of wood and plastics.

- Turn the electronic speed control dial to the required level. The correct setting, however, is a matter of experience.
 - 1 = 8,000 min⁻¹
 - 2 = 12,000 min⁻¹
 - 3 = 16,000 min⁻¹
 - 4 = 18,000 min⁻¹
 - 5 = 20,000 min⁻¹

Adjusting the depth of cut (fig. A)

Your DeWALT Router is equipped with a high precision depth adjustment system including a revolver depth stop (20), a measuring lens (12) and fine adjuster (17).

Quick adjustment (fig. A & D)

- Loosen the plunge lock (14) by pulling it up.
- Lower the router carriage until the cutter is in contact with the workpiece.
- Tighten the plunge lock (14) by pushing it down.

- For optimum ease of operation, the carriage return can be adapted to the required depth of cut by rotating or sliding the knurled nut (9).
- Loosen the clamping screw (15).
- Rotate the handwheel (11) until the fine adjuster (17) touches the revolver depth stop (20).
- Set the measuring lens to a round figure (e.g. 0).
- Adjust the depth of cut using the handwheel (11) and the measuring lens (12). The distance between the top of the revolver depth stop and the bottom of the fine adjuster is the adjusted depth of cut.
- Tighten the clamping screw (15).

Triple depth adjustment using the revolver depth stop (fig. E)

The revolver depth stop (20) can be used to set 3 different depths. This is particularly useful for deep cuts, performed in steps.

- Place a depth template between the fine adjuster (17) and the revolver depth stop (20) to adjust the exact cutting depth.
- If required, set all three screws.



Make shallow cuts only!

Fine adjustment (fig. F)

When not using a depth template, or if the depth of cut needs readjustment, it is recommended to use the fine adjuster (17).

- Adjust the depth of cut using the fine adjuster (17). One turn corresponds to approx. 1 mm.
- Read the depth of cut using the measuring lens (12) and scale (13).
- Adapt the depth of cut to the millimeter using the handwheel (11).

Depth adjustment with Router installed in inverted position (fig. D)

- Remove the cap nut (27) and the knurled knob (9) and replace it with the depth adjuster (DE6966) available as an option.
- Connect the threaded rod of the new depth stop to the threaded spindle (7).
- Set the depth of cut using the adjuster on the new depth stop.



For installing the Router in inverted position, refer to the relevant instruction manual on the stationary tool.

Fitting the parallel fence (fig. A & G)

- Fit the guide rods (6) to the router base (21).
- Slide the parallel fence (19) over the rods.
- Tighten the locking bolts (5) temporarily.

Adjusting the parallel fence (fig. A & G)

- Draw a cutting line on the material.
- Lower the router carriage until the cutter is in contact with the workpiece.
- Tighten the plunge lock (14) and limit the carriage return using the knurled nut (9).
- Position the Router on the cutting line.
- Slide the parallel fence (19) against the workpiece and tighten the locking bolts (5).
- Adjust the parallel fence using the fine adjuster (18). The outer cutting edge of the cutter must coincide with the cutting line.
- If required, loosen the screws (28) holding the plastic guide strips (29) and adjust the strips to obtain the desired guiding length.

Fitting the baseplate extension and trimming plate (option) (fig. A & H)

When routing with large diameter cutters, it is re-recommended to fit the baseplate extension (DE6268) (22) for secure handling. The trimming plate (30) is used for trimming of projecting glued edges.

- Fit the baseplate extension to the free end of the guide rods (6).
- Guide the tool with one hand on the knob (23) and the other on the opposite grip (10).
- For trimming projecting glued edges, fit the trimming plate (30) to the baseplate extension as shown in figure H.

The trimming plate can be fitted directly next to the cutter and ensures optimum guidance.

Fitting a guide bush (fig. J)

Together with a template, guide bushes (DE6430) play a valuable part in cutting and shaping to a pattern.

- Fit the guide bush (31) to the router base (21) using the screws (32) as shown.

Connecting a dust extractor (fig. A & K)

The dust extraction adapter (33) consists of a main section (34), a clamping piece (35), a cutter plate (36), two screws (37) and two nuts (38).

- Slide the clamping plate (35) onto the main section (34) from the front.
- Fit the screws (37) and nuts (38).
- Insert the cutter plate (36) from the bottom and rotate it until it clicks in place.
- Mount the unit to the router base.
- Connect a dust extractor hose to the dust extraction adaptor (33).
- Loosen the screw in the top of the router and fit the hose guide as shown.

Instructions for use



- Always observe the safety instructions and applicable regulations.
- Always move your Router as indicated in fig. L (outer edges/inner edges).

Prior to operation:

- Check that the cutter is correctly installed in the collet.
- Select the optimal speed using the electronic speed control dial.
- Set the cutting depth.
- Connect a dust extractor.
- Make sure the plunge limiter is always locked before switching ON.

Switching ON and OFF (fig. A & G)

- ON: pull the switch (1) UP.
- OFF: press the switch (1) DOWN.



Loosen the plunge limiter and allow the router carriage to regain its rest position before switching OFF.

Using the guide bushes (fig. J)

- Secure the template to the workpiece using end clamps.
- Select and install an appropriate guide bush (31).
- Subtract the diameter of the cutter from the outside diameter of the guide bush and divide by 2. This is the difference between template and workpiece.



If the workpiece is not thick enough, place it on a piece of waste wood.

Guiding off a batten

Where an edge guide cannot be used, it is also possible to guide the router along a batten clamped across the workpiece (with an overhang at both ends).

Freehand routing

Your Router can also be used without any sort of guide, e.g. for signwriting or creative work.



Make shallow cuts only!
Use cutters with a max. diameter of 6 mm.

Routing with pilot cutters (fig. B)

Where a parallel guide or guide bush are inappropriate, it is possible to use pilot cutters (24) for cutting shaped edges.

Consult your dealer for further information on the appropriate accessories.

These include collets (1/4-1/2"), a depth stop and router table for use in inverted position, finger jointing tools for dovetail and finger jointing jigs, dowel jointing templates, guide bushes (17-40 mm), guide bushes, guide bush holders and guide rails in various lengths.

Maintenance

Your DeWALT Power Tool has been designed to operate over a long period of time with a minimum of maintenance. Continuous satisfactory operation depends upon proper tool care and regular cleaning.



Lubrication

Your Power Tool requires no additional lubrication.



Cleaning

Keep the ventilation slots clear and regularly clean the housing with a soft cloth.



Unwanted tools and the environment

Take your tool to an authorized DeWALT repair agent where it will be disposed of in an environmentally safe way.

GUARANTEE

• 30 DAY NO RISK SATISFACTION GUARANTEE •

If you are not completely satisfied with the performance of your DeWALT tool, simply return it within 30 days, complete as purchased, to a participating Dealer, or an authorized DeWALT repair agent, for a full refund or exchange. Proof of purchase must be produced.

• ONE YEAR FREE SERVICE CONTRACT •

If you need maintenance or service for your DeWALT tool, in the 12 months following purchase, it will be undertaken free of charge at an authorized DeWALT repair agent. Proof of purchase must be produced. Includes labour and spare parts for Power Tools. Excludes accessories.

• ONE YEAR FULL WARRANTY •

If your DeWALT product becomes defective due to faulty materials or workmanship within 12 months from the date of purchase, we guarantee to replace all defective parts free of charge or, at our discretion, replace the unit free of charge provided that:

- The product has not been misused.
- Repairs have not been attempted by unauthorized persons.
- Proof of purchase date is produced.

This guarantee is offered as an extra benefit and is additional to consumers statutory rights.

For the location of your nearest authorized DeWALT repair agent, please use the appropriate telephone number on the back of this manual.