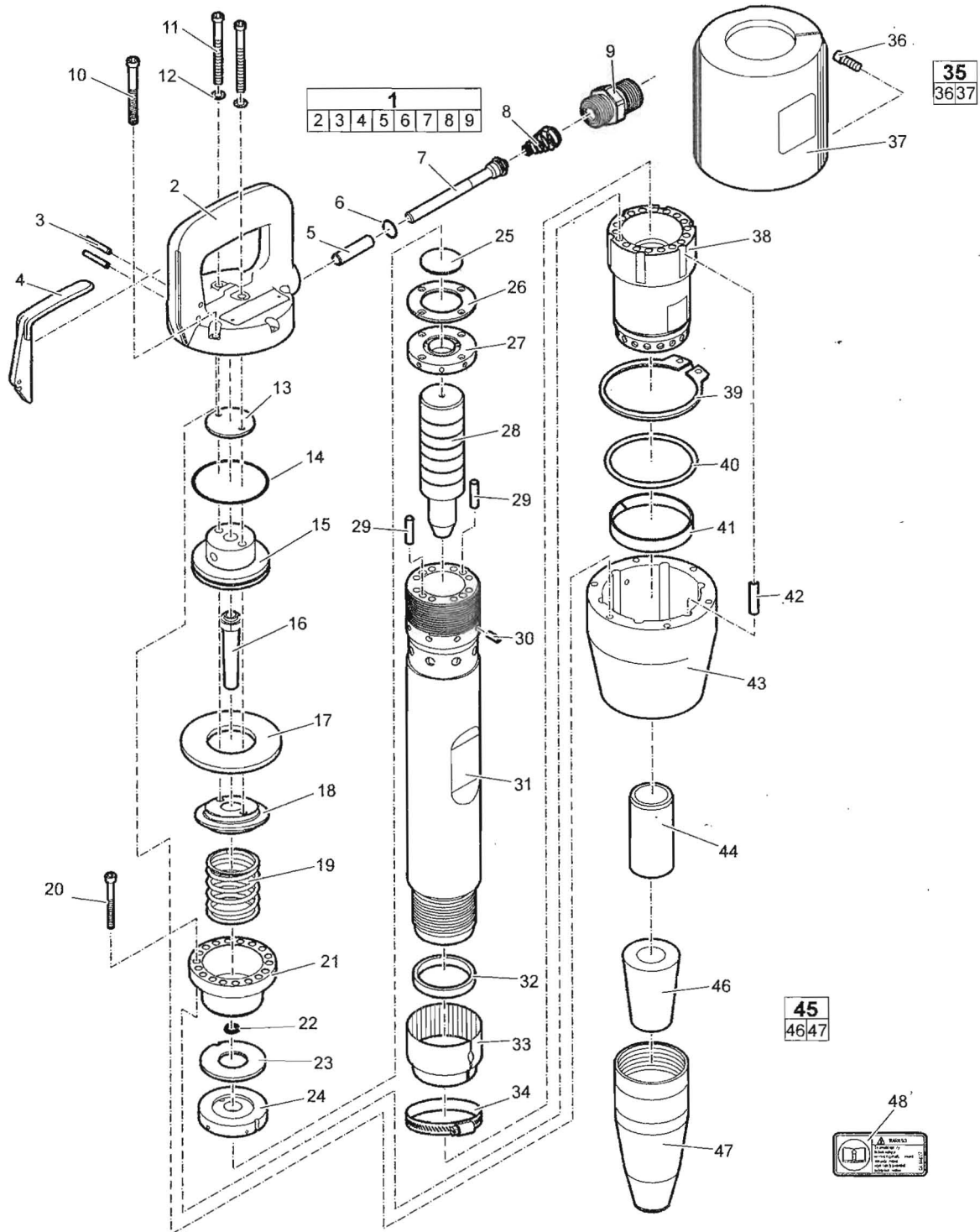




CP 0125 SVR





No.	Description	Remark	Quantity	Part number
1(2-9)	Handle, complete		1	3303 0051 01
2	Handle		1	-
3	Pin - throttle lever		2	R133757
4	Lever - throttle		1	F815167
5	Bushing - throttle valve		1	P144656
6	O-ring - throttle valve		1	P083071
7	Valve - throttle		1	P144202
8	Spring - throttle valve		1	C077054
9	Nipple with gauze		1	F035769
10	Screw - socket head	1/4 - 20 x 1 1/2	6	C064807
11	Button head cap screw		2	R157972
12	Washer - flat		2	KF131560
13	P.U. pad		1	R157971
14	O-ring		1	C116352
15	Handle spacer		1	R157970
16	Tube - air		1	P144652
17	Buffer - top		1	H2320840
18	Buffer - plate		1	D5091840
19	Spring		1	H3439427
20	Socket head cap screw	M6 x 40 12.9	18	Q2885840
21	Isolator plate		1	C4309427
22	Seal - air tube		1	H0295840
23	Buffer - bottom		1	H2326840
24	Upper valve case lid		1	R157128
25	Valve		1	R157130
26	Valve case		1	F012658
27	Lower valve case lid		1	R157129
28	Piston		1	F011998
29	Dowel pin		2	F012670
30	Handle lock pin		1	F001919
31	Cylinder		1	-
32	Retainer locking pin		1	F035269
33	Exhaust deflector		1	F012747
34	Terry clip		1	P052726
35(36-37)	Muffler, complete		1	F814201
36	Screw		4	R140630
37	Muffler		1	-
38	Adaptor - cylinder		1	C9204427
39	Retaining ring		1	R157978
40	O-ring		1	R157977
41	Ring - bearing		1	R157976
42	Roller guide set	Includes 6 roller	1	Z8764427
43	Isolator housing		1	R157973
44	Tool bushing	Round 25 x 75 (1 x 3")	1	F011469
45(46-47)	Standard retainer conical, complete		1	Z8766427
46	Buffer	Round	1	R157730
47	Retainer - conical		1	-
48	Safety label		1	CA144007